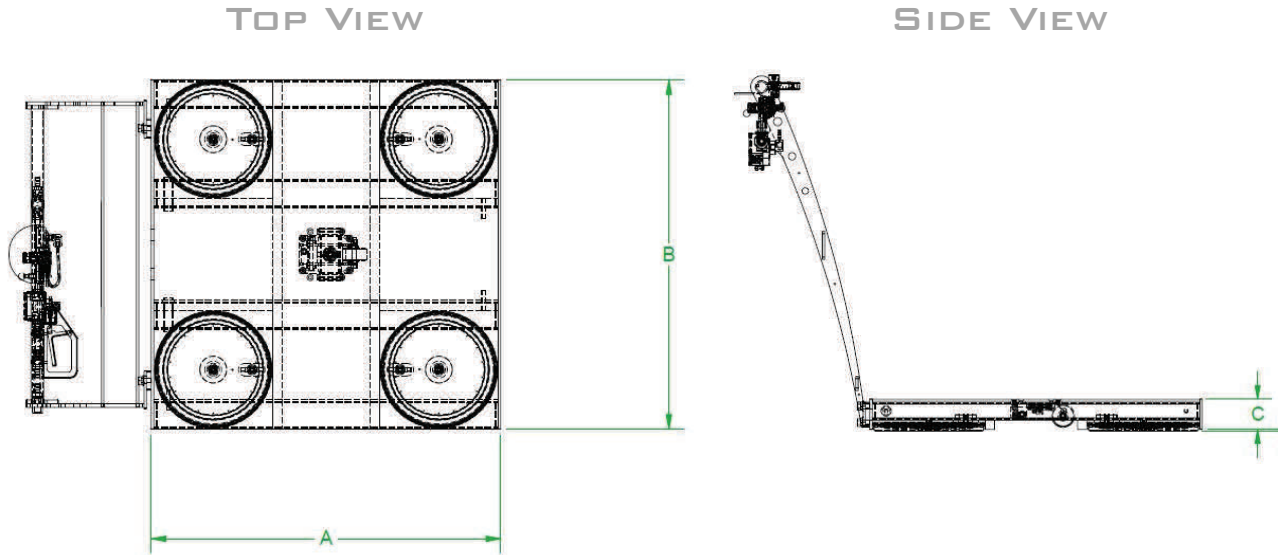


UTILITY PLATFORMS



8,000 lb. Capacity Platforms

Model	Capacity	Length (A)	Width (B)	Height (C)	Supply Line Size (NPT)	Average Air Flow	Number of Air Bearings	Air Bearing Diameter
AF020-0001	8,000 lbs. (3,636 kg)	36 in. (914 mm)	30 in. (762 mm)	3 in. (76 mm)	1/2 in.	24 CFM 11.3 L/S ³	4	12 in. 305 mm
AF020-0002	8,000 lbs. (3,636 kg)	42 in. (1,067 mm)	30 in. (762 mm)	3 in. (76 mm)	1/2 in.	24 CFM 11.3 L/S ³	4	12 in. 305 mm
AF020-0003	8,000 lbs. (3,636 kg)	48 in. (1,219 mm)	30 in. (762 mm)	3 in. (76 mm)	1/2 in.	24 CFM 11.3 L/S ³	4	12 in. 305 mm
AF020-0004	8,000 lbs. (3,636 kg)	54 in. (1,372 mm)	30 in. (762 mm)	3 in. (76 mm)	1/2 in.	24 CFM 11.3 L/S ³	4	12 in. 305 mm
AF020-0005	8,000 lbs. (3,636 kg)	60 in. (1,524 mm)	30 in. (762 mm)	3 in. (76 mm)	1/2 in.	24 CFM 11.3 L/S ³	4	12 in. 305 mm
AF020-0006	8,000 lbs. (3,636 kg)	36 in. (914 mm)	36 in. (914 mm)	3 in. (76 mm)	1/2 in.	24 CFM 11.3 L/S ³	4	12 in. 305 mm
AF020-0007	8,000 lbs. (3,636 kg)	42 in. (1,067 mm)	36 in. (914 mm)	3 in. (76 mm)	1/2 in.	24 CFM 11.3 L/S ³	4	12 in. 305 mm
AF020-0008	8,000 lbs. (3,636 kg)	48 in. (1,219 mm)	36 in. (914 mm)	3 in. (76 mm)	1/2 in.	24 CFM 11.3 L/S ³	4	12 in. 305 mm
AF020-0009	8,000 lbs. (3,636 kg)	54 in. (1,372 mm)	36 in. (914 mm)	3 in. (76 mm)	1/2 in.	24 CFM 11.3 L/S ³	4	12 in. 305 mm
AF020-0010	8,000 lbs. (3,636 kg)	60 in. (1,524 mm)	36 in. (914 mm)	3 in. (76 mm)	1/2 in.	24 CFM 11.3 L/S ³	4	12 in. 305 mm
AF020-0011	8,000 lbs. (3,636 kg)	66 in. (1,676 mm)	36 in. (914 mm)	3 in. (76 mm)	1/2 in.	24 CFM 11.3 L/S ³	4	12 in. 305 mm
AF020-0012	8,000 lbs. (3,636 kg)	72 in. (1,829 mm)	36 in. (914 mm)	3 in. (76 mm)	1/2 in.	24 CFM 11.3 L/S ³	4	12 in. 305 mm

UTILITY PLATFORMS

12,000 lb. Capacity Platforms

Model	Capacity	Length (A)	Width (B)	Height (C)	Supply Line Size (NPT)	Average Air Flow	Number of Air Bearings	Air Bearing Diameter
AF020-0013	12,000 lbs. (5,440 kg)	42 in. (1067 mm)	42 in. (1067 mm)	3 in. (76 mm)	1/2 in.	24 CFM 11.3 L/S ³	4	12 in. 305 mm
AF020-0014	12,000 lbs. (5,440 kg)	48 in. (1219 mm)	42 in. (1067 mm)	3 in. (76 mm)	1/2 in.	24 CFM 11.3 L/S ³	4	12 in. 305 mm
AF020-0015	12,000 lbs. (5,440 kg)	54 in. (1372 mm)	42 in. (1067 mm)	3 in. (76 mm)	1/2 in.	24 CFM 11.3 L/S ³	4	12 in. 305 mm
AF020-0016	12,000 lbs. (5,440 kg)	60 in. (1524 mm)	42 in. (1067 mm)	3 in. (76 mm)	1/2 in.	24 CFM 11.3 L/S ³	4	12 in. 305 mm
AF020-0017	12,000 lbs. (5,440 kg)	66 in. (1676 mm)	42 in. (1067 mm)	3 in. (76 mm)	1/2 in.	24 CFM 11.3 L/S ³	4	12 in. 305 mm
AF020-0018	12,000 lbs. (5,440 kg)	72 in. (1829 mm)	42 in. (1067 mm)	3 in. (76 mm)	1/2 in.	24 CFM 11.3 L/S ³	4	12 in. 305 mm
AF020-0019	12,000 lbs. (5,440 kg)	78 in. (1981 mm)	42 in. (1067 mm)	3 in. (76 mm)	1/2 in.	24 CFM 11.3 L/S ³	4	12 in. 305 mm
AF020-0020	12,000 lbs. (5,440 kg)	84 in. (2134 mm)	42 in. (1067 mm)	3 in. (76 mm)	1/2 in.	24 CFM 11.3 L/S ³	4	12 in. 305 mm
AF020-0021	12,000 lbs. (5,440 kg)	48 in. (1219 mm)	48 in. (1219 mm)	3 in. (76 mm)	1/2 in.	24 CFM 11.3 L/S ³	4	12 in. 305 mm
AF020-0022	12,000 lbs. (5,440 kg)	54 in. (1372 mm)	48 in. (1219 mm)	3 in. (76 mm)	1/2 in.	24 CFM 11.3 L/S ³	4	12 in. 305 mm
AF020-0023	12,000 lbs. (5,440 kg)	60 in. (1524 mm)	48 in. (1219 mm)	3 in. (76 mm)	1/2 in.	24 CFM 11.3 L/S ³	4	12 in. 305 mm
AF020-0024	12,000 lbs. (5,440 kg)	66 in. (1676 mm)	48 in. (1219 mm)	3 in. (76 mm)	1/2 in.	24 CFM 11.3 L/S ³	4	12 in. 305 mm
AF020-0025	12,000 lbs. (5,440 kg)	72 in. (1829 mm)	48 in. (1219 mm)	3 in. (76 mm)	1/2 in.	34 CFM 16 L/S ³	4	17 in. 1829 mm
AF020-0026	12,000 lbs. (5,440 kg)	78 in. (1981 mm)	48 in. (1219 mm)	3 in. (76 mm)	1/2 in.	34 CFM 16 L/S ³	4	17 in. 1829 mm

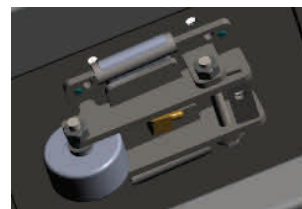
— Chart Continued on Next Page —

BENEFITS

- **10X More Powerful** – Move 1,000 lbs. with only 1 lb. of force. 10X more powerful than traditional dollies.
- **Omnidirectional** – Move with ease in any direction and maneuver in confined spaces.
- **Simple** – Easy operation, no maintenance and highly reliable. Operate using plant air supply.
- **Precise** – Place heavy loads with greater precision than forklifts.
- **Safe** – Floats on a cushion of air, reducing point loading on floors.

FEATURES

- **Deadman Valve** – Easy grip-and-go operation. Release, and the platform comes to a gentle stop.
- **Guide Wheel** – Reduces drifting of the load on sloping floor services.



Guide Wheel

UTILITY PLATFORMS

12,000 lb. Capacity Platforms (Cont.)

Model	Capacity	Length (A)	Width (B)	Height (C)	Supply Line Size (NPT)	Average Air Flow	Number of Air Bearings	Air Bearing Diameter
AF020-0027	12,000 lbs. (5,440 kg)	84 in. (2134 mm)	48 in. (1219 mm)	3 in. (76 mm)	1/2 in.	34 CFM 16 L/S ³	4	17 in. 1829 mm
AF020-0028	12,000 lbs. (5,440 kg)	90 in. (2286 mm)	48 in. (1219 mm)	3 in. (76 mm)	1/2 in.	34 CFM 16 L/S ³	4	17 in. 1829 mm
AF020-0029	12,000 lbs. (5,440 kg)	96 in. (2438 mm)	48 in. (1219 mm)	3 in. (76 mm)	1/2 in.	34 CFM 16 L/S ³	4	17 in. 1829 mm
AF020-0030	12,000 lbs. (5,440 kg)	60 in. (1524 mm)	60 in. (1524 mm)	3 in. (76 mm)	1/2 in.	34 CFM 16 L/S ³	4	17 in. 1829 mm
AF020-0031	12,000 lbs. (5,440 kg)	72 in. (1829 mm)	60 in. (1524 mm)	3 in. (76 mm)	1/2 in.	34 CFM 16 L/S ³	4	17 in. 1829 mm
AF020-0032	12,000 lbs. (5,440 kg)	84 in. (2134 mm)	60 in. (1524 mm)	3 in. (76 mm)	1/2 in.	34 CFM 16 L/S ³	4	17 in. 1829 mm
AF020-0033	12,000 lbs. (5,440 kg)	96 in. (2438 mm)	60 in. (1524 mm)	3 in. (76 mm)	1/2 in.	34 CFM 16 L/S ³	4	17 in. 1829 mm
AF020-0034	12,000 lbs. (5,440 kg)	108 in. (2743 mm)	60 in. (1524 mm)	3 in. (76 mm)	1/2 in.	34 CFM 16 L/S ³	4	17 in. 1829 mm
AF020-0035	12,000 lbs. (5,440 kg)	120 in. (3048 mm)	60 in. (1524 mm)	3 in. (76 mm)	1/2 in.	34 CFM 16 L/S ³	4	17 in. 1829 mm

ADDITIONAL DETAILS

