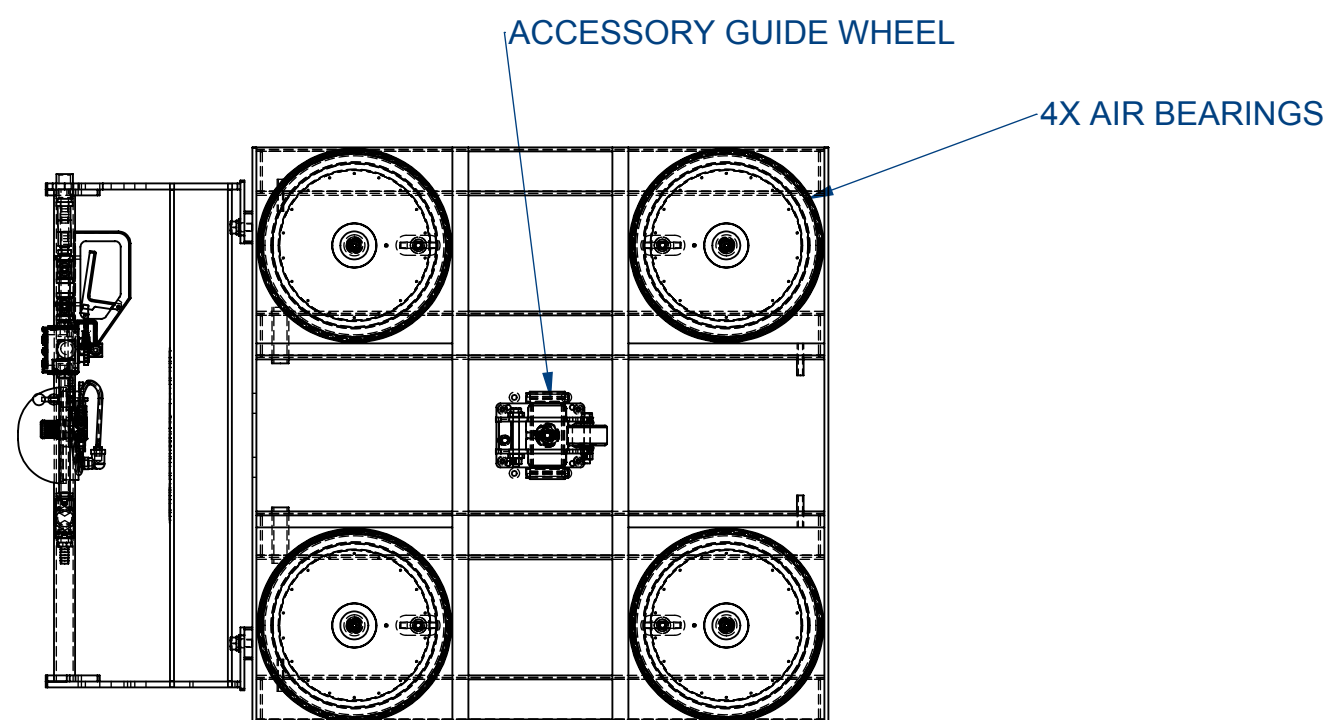
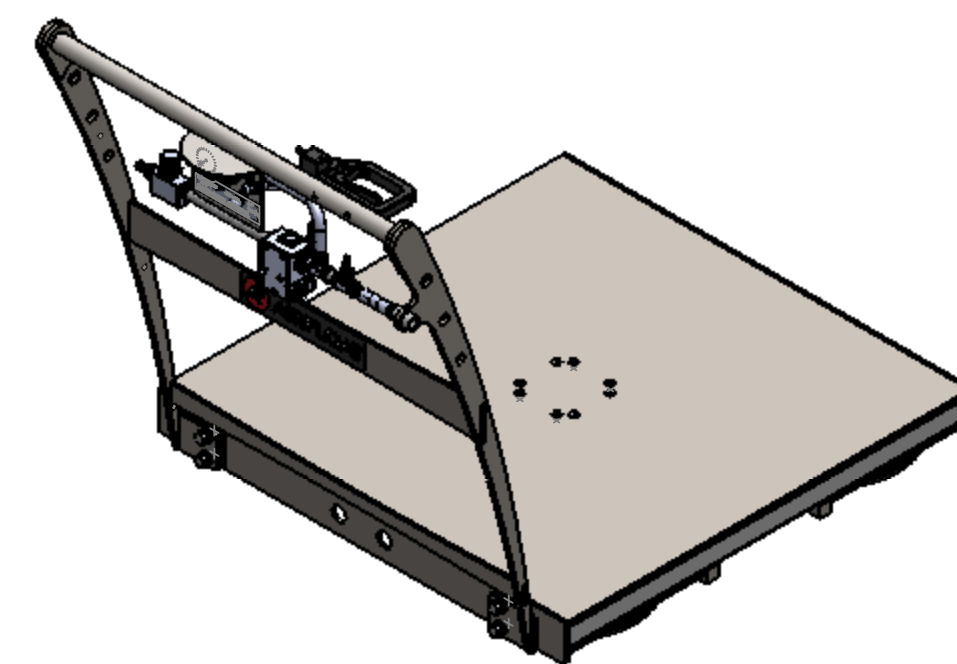
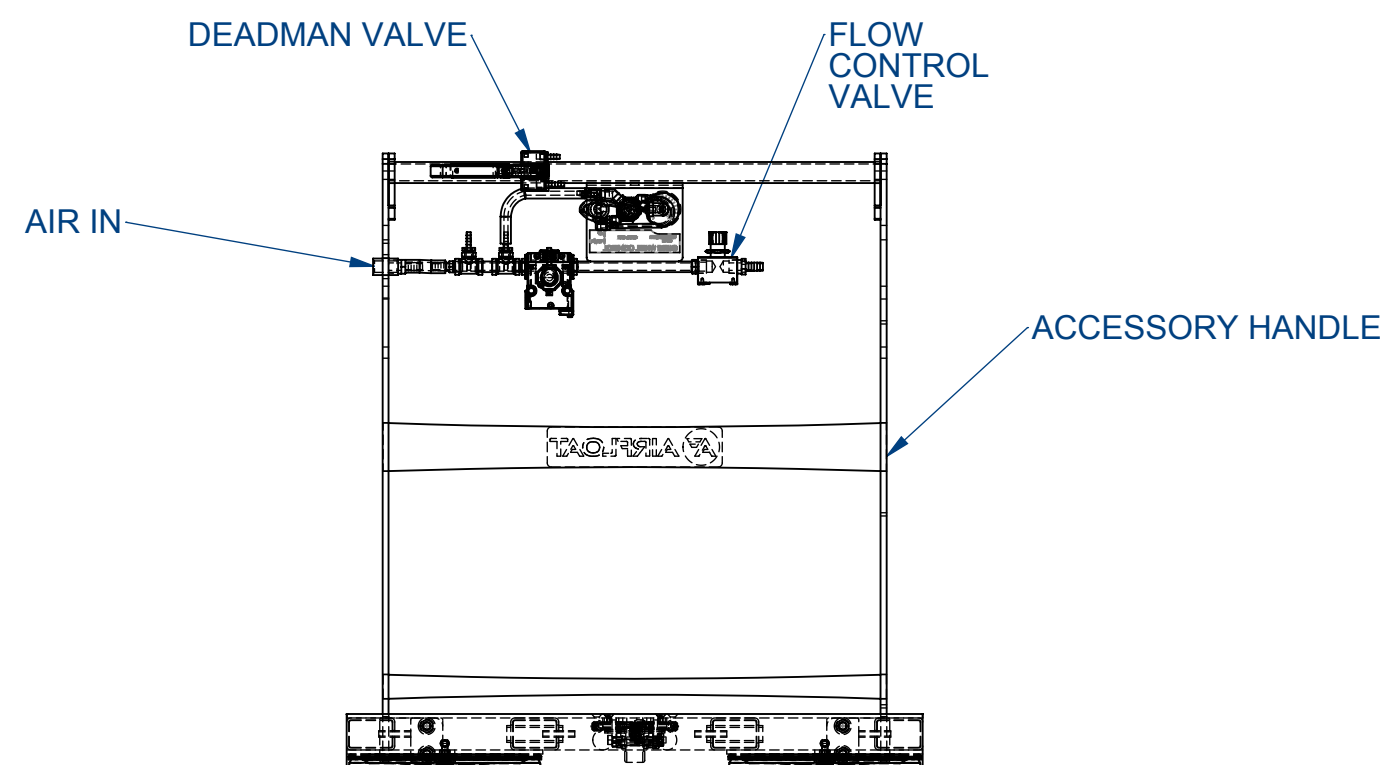
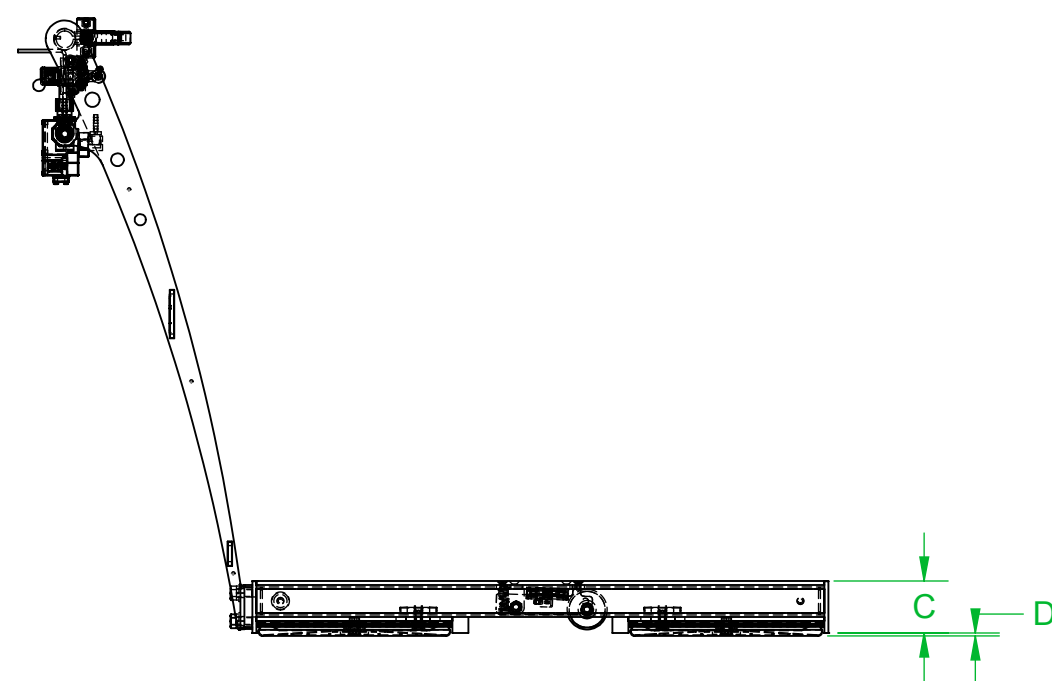
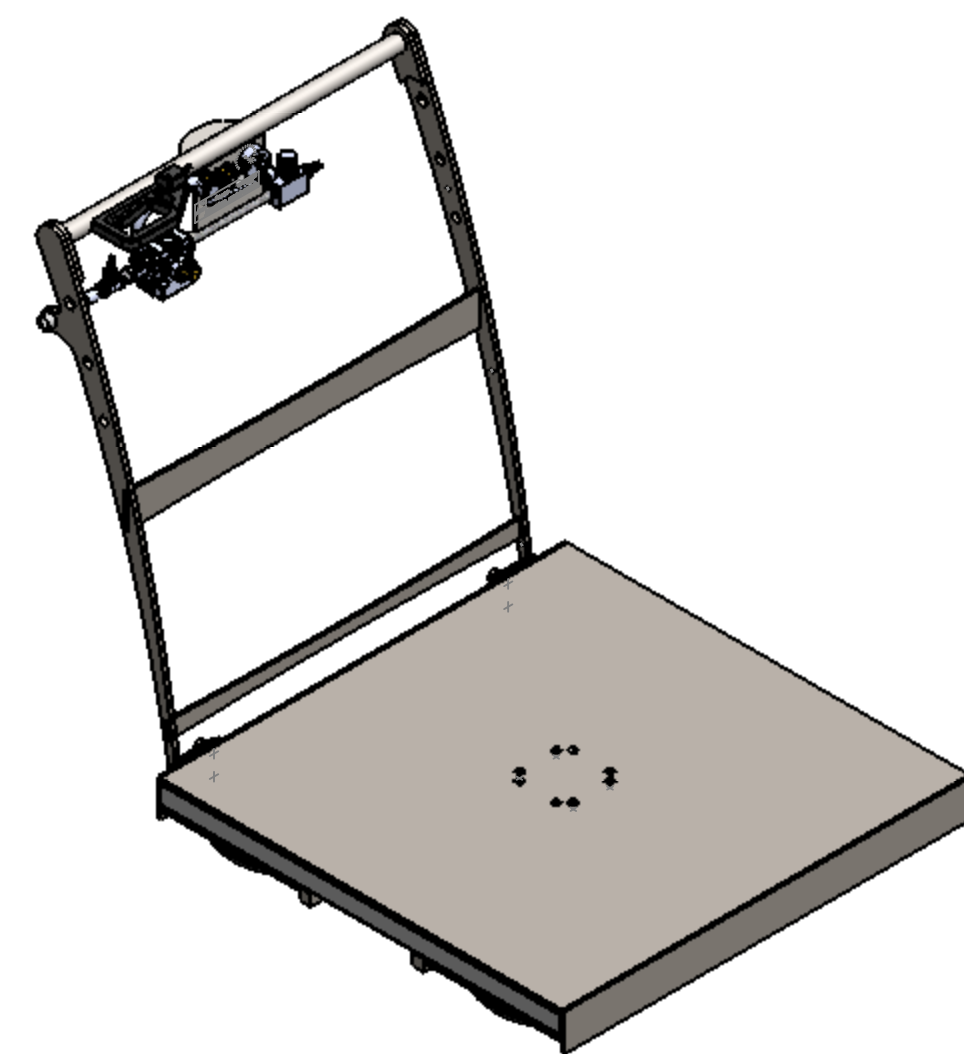
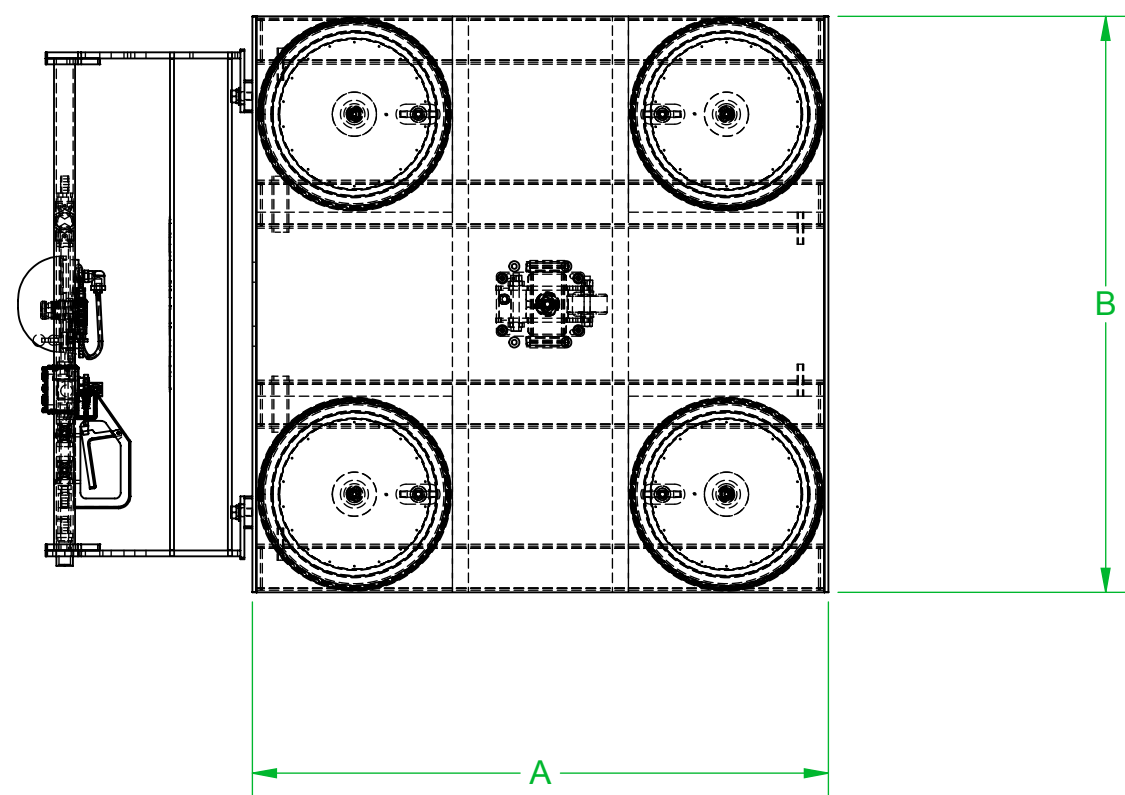


REVISIONS				
ZONE	REV.	DESCRIPTION	DATE	REV. BY



DISCARD ALL DRAWINGS AND/OR BILL OF MATERIALS ISSUED PRIOR TO  
**5/9/2014**  
 USE PRINT WITH THE LATEST DATE FOR PRODUCTION  
 ENGR. APPROVAL \_\_\_\_\_

UNLESS OTHERWISE SPECIFIED DIMENSIONS ARE IN INCHES TOLERANCES ARE:  
 FRACTIONS: ± 1/16  
 DECIMALS: .XX ± .03  
 ANGULAR: .XXX ± .010  
 ± 1°  
 DO NOT SCALE DRAWINGS

WORK ORDER #	
DRAWN	---
TOTAL WT.	271.41 lbs
SHEET	1 OF 1

		<small>2230 Brush College Rd          Decatur, IL 62526          www.airfloat.com          sales@airfloat.com          Phone: 217.423.6001</small>	
THIS DRAWING CONTAINS INFORMATION PROPRIETARY TO AIRFLOAT LLC AND SHALL NOT BE DISCLOSED FOR ANY PURPOSE NOR USED FOR MANUFACTURING PURPOSES WITHOUT THE WRITTEN PERMISSION OF AIRFLOAT LLC.			
TITLE	SIZE C	SCALE 1:1	DRAWING NO. AF020-0006
REV.	-		